

SQUALO35



SQUALO35 is the first submersible pump specifically designed for use with DEF. A centrifugal pump fitted with a turbine regenerator, built-in check valve and bypass valve, the Squalo provides both flow rate performance and excess back pressure protection. Its compact size allows it to fit into both IBC totes and Mini Bulk systems. And, its dead level height is down to 1-1/4"; maximizing fluid consumption.

- Head Pressure: 25 PSI
- Power: 1/2 HP
- 150ft+ Dispense Distance



PERFORMANCE

1-1/4"

DEAD LEVEL

120 VAC

POWER

DETAILS



MESH STRAINER



BUILT-IN NON RETURN VALVE

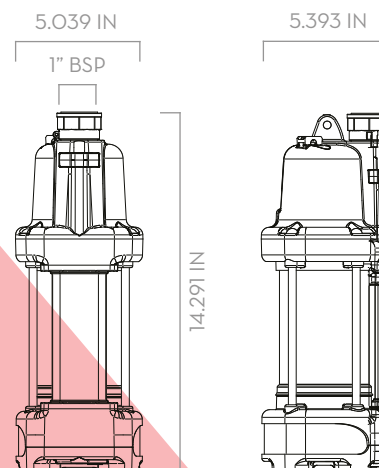


REGENERATIVE TURBINE



INTEGRATED BY-PASS

DIMENSIONS



MATERIALS

BODY: STAINLESS STEEL/TECHNOPOLYMER
TURBINE: TECHNOPOLYMER

TECHNICAL DATA

CODE	DESCRIPTION	FLUIDS TYPE	WORKING PRESSURE		FLOW RATE		VOLTAGE		DEAD LEVEL	POWER CORD
					L/MIN	GPM	CA V/Hz CC V	HP		
FOO206040	SQUALO 35 120/60Hz W/ TIMER		1,8 BAR	27 PSI	36	10	120/60	1/2	1 - 1/4"	16 FT



330 GALLON TOTE

RKSQUALOK2 - SQUALO MINI BULK KIT



675 GALLON TOTE
RKSQUALOK1 - SQUALO IBC KIT



SHERMAN-TANK
Rotational Molding

Capacity in Gallons	Width	Length	Height	Fill Port
675	40 in	48 in	85 in	3

This is brand new Sherman-Tank system gives DEF suppliers the ability to more than double the DEF drop volume at sites that use IBC's, all while easily accommodating either existing equipment or new DEF pump and dispense equipment and in conformance with ISO 22241 requirements.

- 48" x 40" x 85" tall PE tank systems easily ships on a 53' trailer - saves up to 50% of freight costs!
- Tank System comes with up to 4 x 2" openings for installation of service equipment including Micro Matic, vents, liquid level sensors and GPS monitoring systems.
- Tank system utilizes a standard 6" IBC cap with up to 2 x 2" openings.
- Fill arm can be provided and mounted securely to the outside of the tank to allow for filling of DEF via either a dry break connection point or a Camlock connection.
- Sherman has developed a pump hanging bracket that allows for the easy incorporation of a standard DEF pump system or DEF pump bracket.